



INSTRUCTIONS

STATIC AUXILIARY TRIPPING RELAY TYPE SLAT 52A20 and Up

Introduction

This supplement, in addition to GEK-34085, constitutes the instructions for the SLAT52A relay, Forms 20 and up.

Description

The SLAT52A relay, Forms 20 and up, is similar to other SLAT52A relays except a high-speed relay output has been added.

Ratings

The high-speed reed relay output in the SLAT52A relay, forms 20 and up, has the following ratings:

Pickup time	0.5 millisecond
Dropout time	1.0 millisecond
Contacts make and carry	0.5 ampere
Contact rating	10 volt-amperes resistive (with 10 ohm 5 1/4 watt series resistor)

These instructions do not purport to cover all details or variations in equipment nor provide for every possible contingency to be met in connection with installation, operation or maintenance. Should further information be desired or should particular problems arise which are not covered sufficiently for the purchaser's purposes, the matter should be referred to the General Electric Company.

To the extent required the products described herein meet applicable ANSI, IEEE and NEMA standards; but no such assurance is given with respect to local codes and ordinances because they vary greatly.

GEK-100583

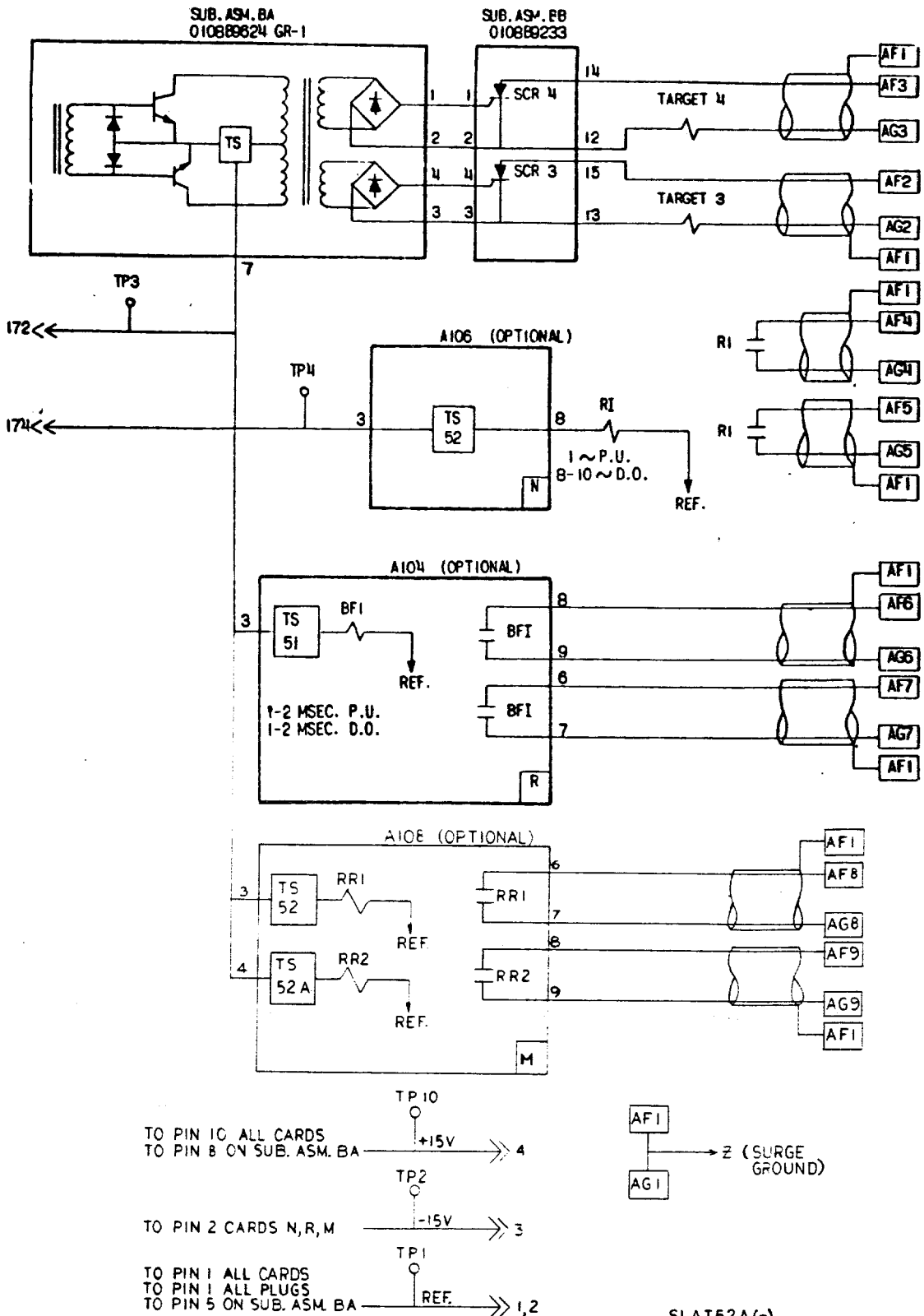


Figure 1 (0184B5796) Internal Connection Diagram for the SLAT52A Relay Forms 20 and Up

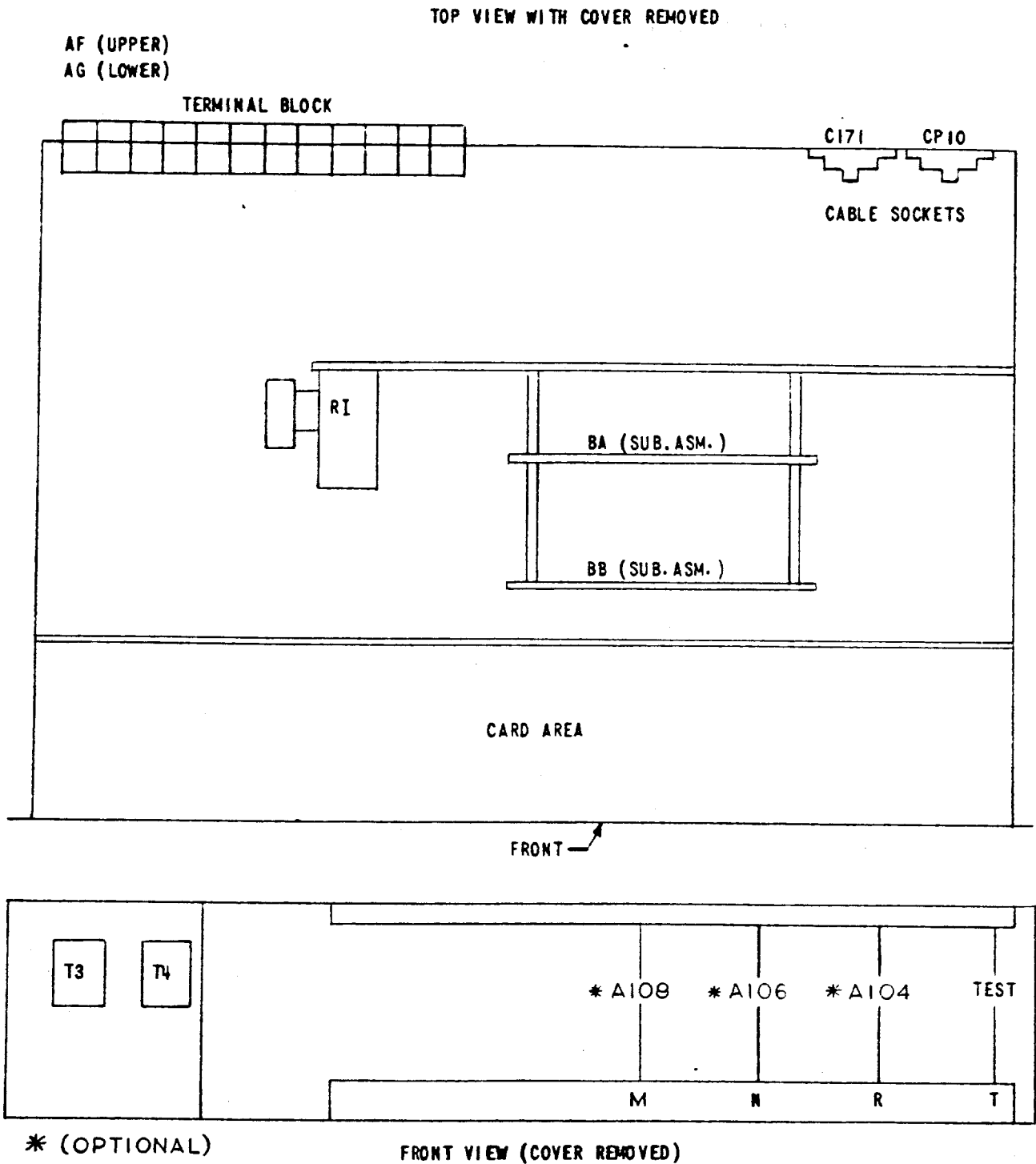


Figure 2 (0286A2022) Component Locations for the SLAT52A, Forms 20 and Up

***Meter and Control
Business Department***

(3/92) (25)

General Electric Company
Protection and Control
205 Great Valley Parkway
Malvern, Pennsylvania 19355-0715